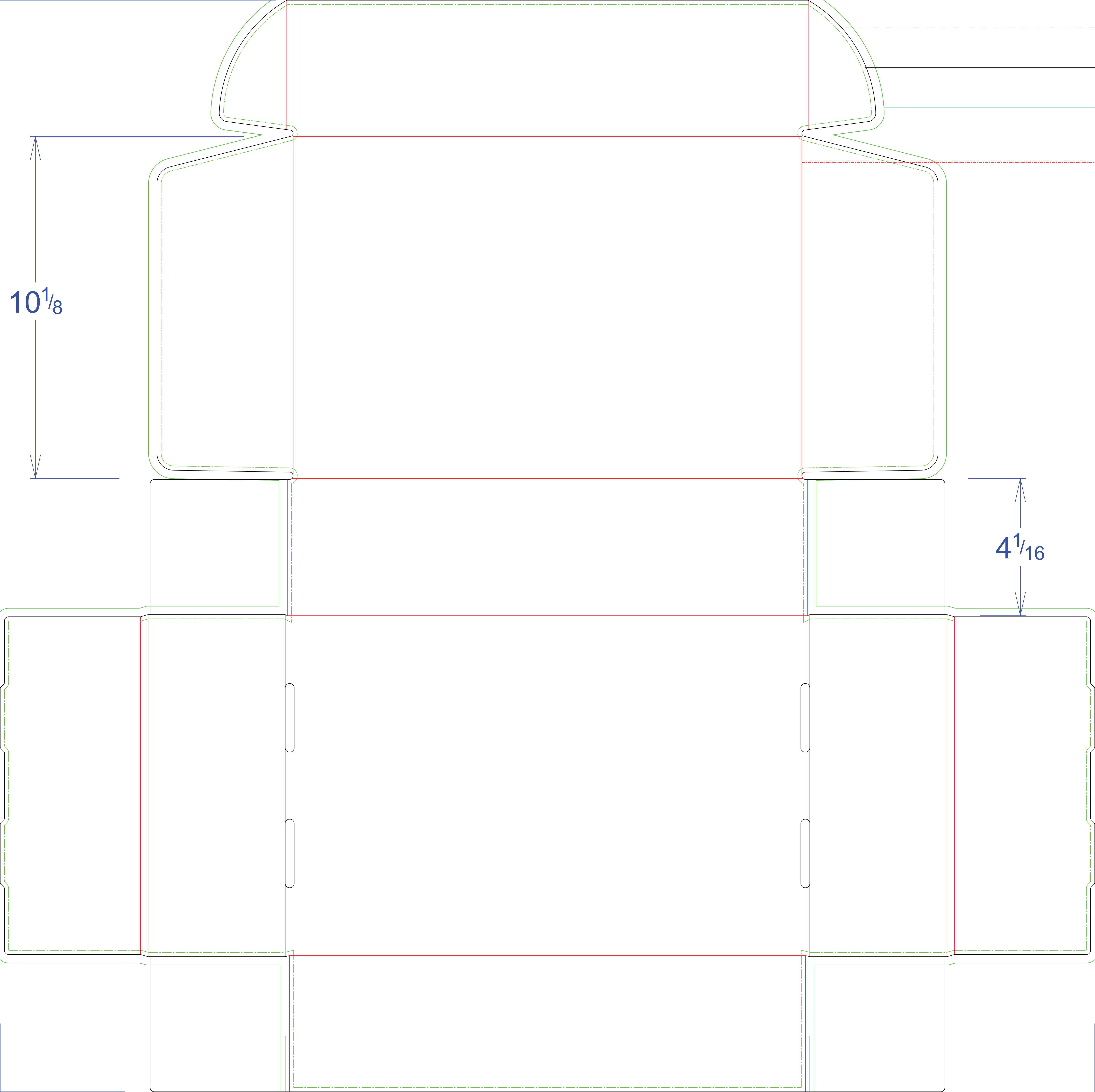


SAFE ZONE:
DO NOT place important text
or images outside this area
to prevent trimming.

TRIM:
This is the actual cut of the
final design (with up to 1/8"
plus or minus variance).

BLEED:
Extend your artwork to the edge
of this area if you want your
design to extend to the edge of
your final prints. We require
1/8" bleed.

FOLD:
These are the areas the paper
has been creased to allow it to
fold up into a box.



$10\frac{1}{8}$

$4\frac{1}{16}$